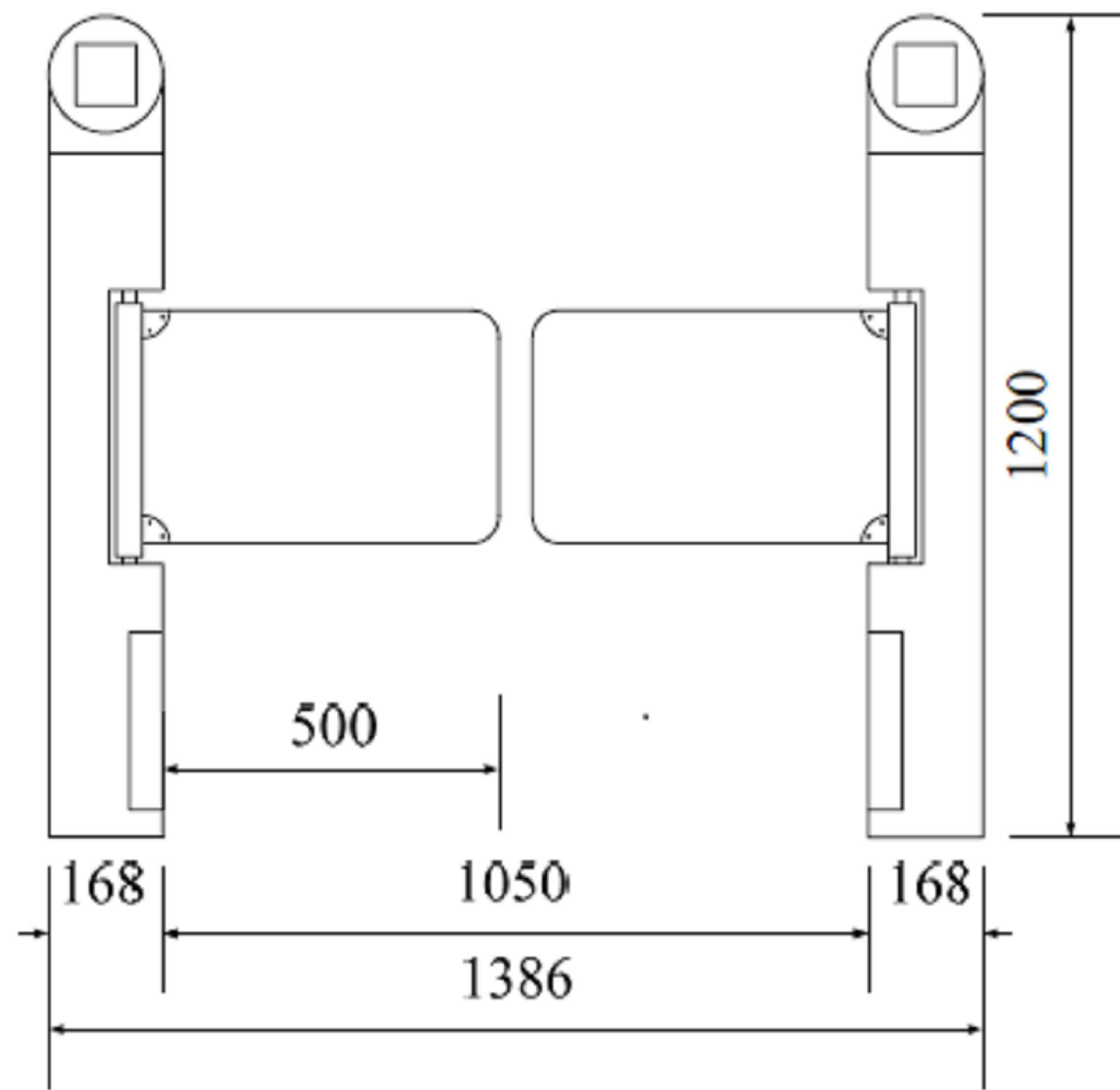
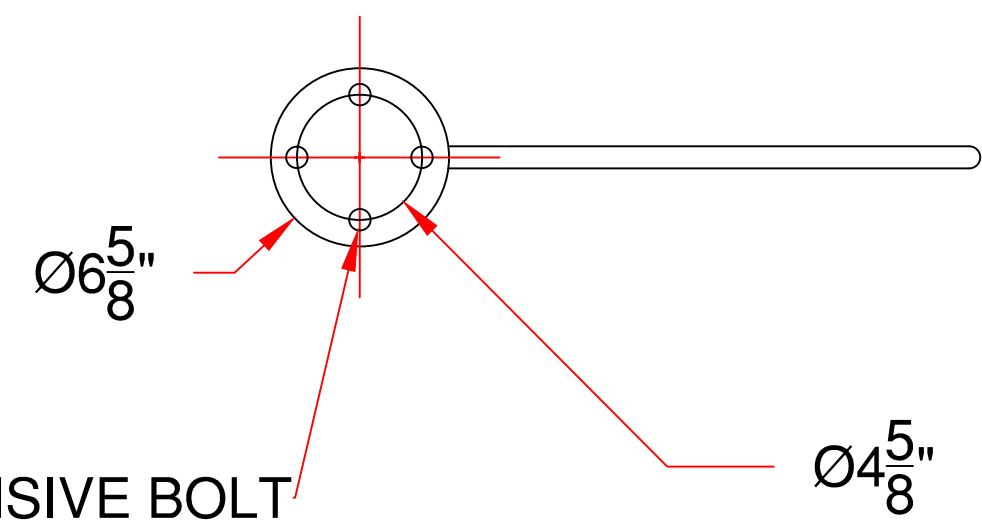
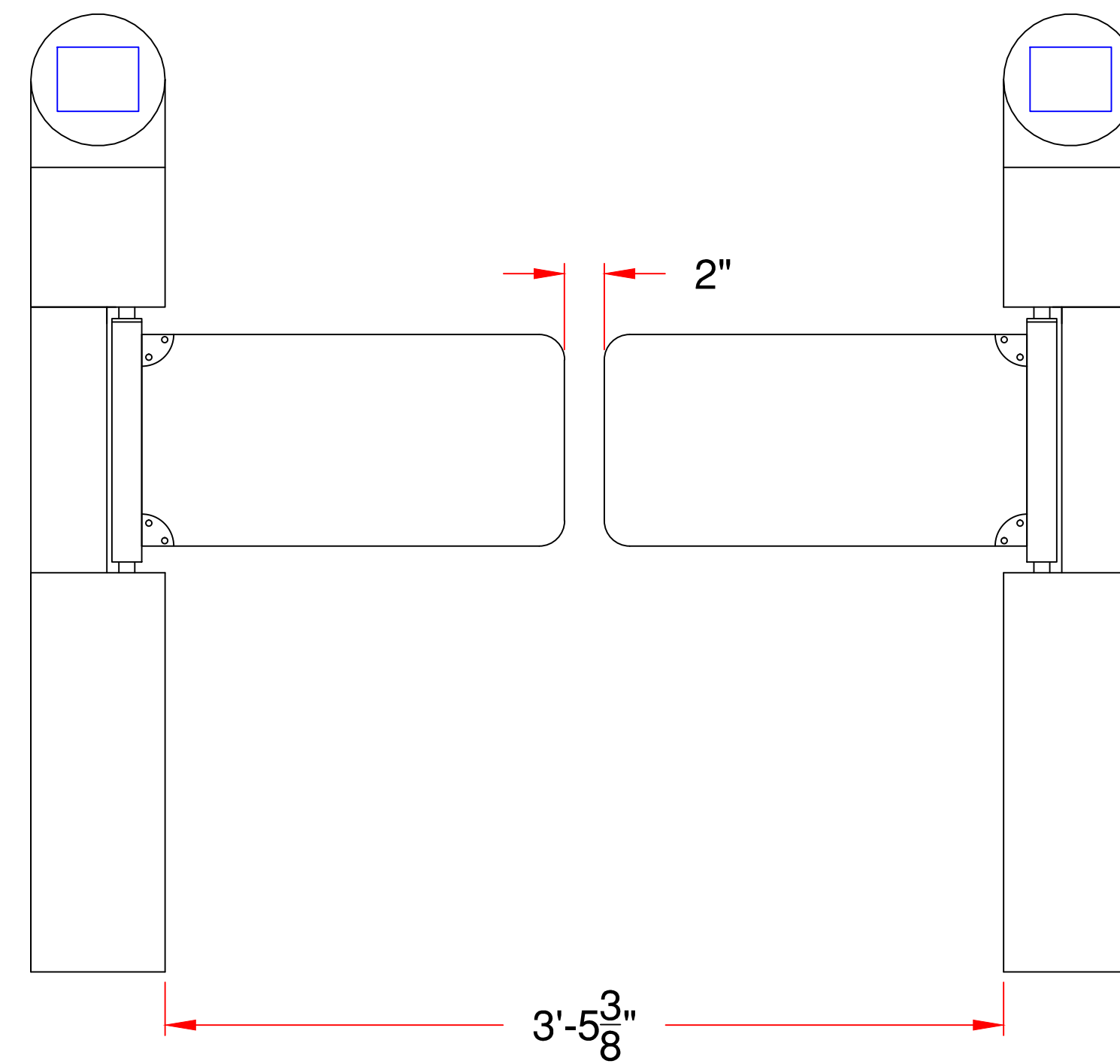
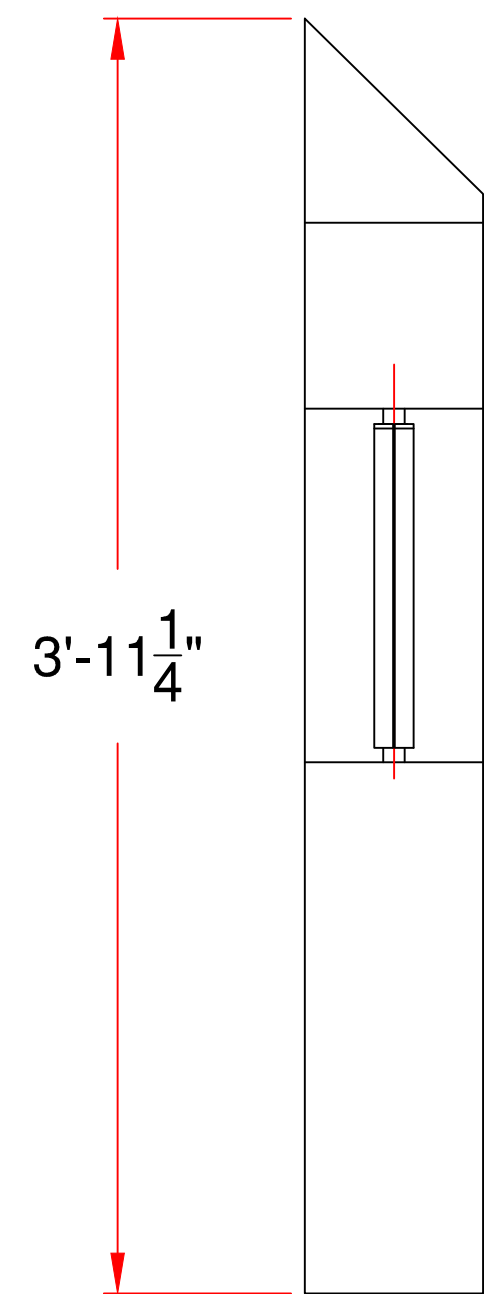
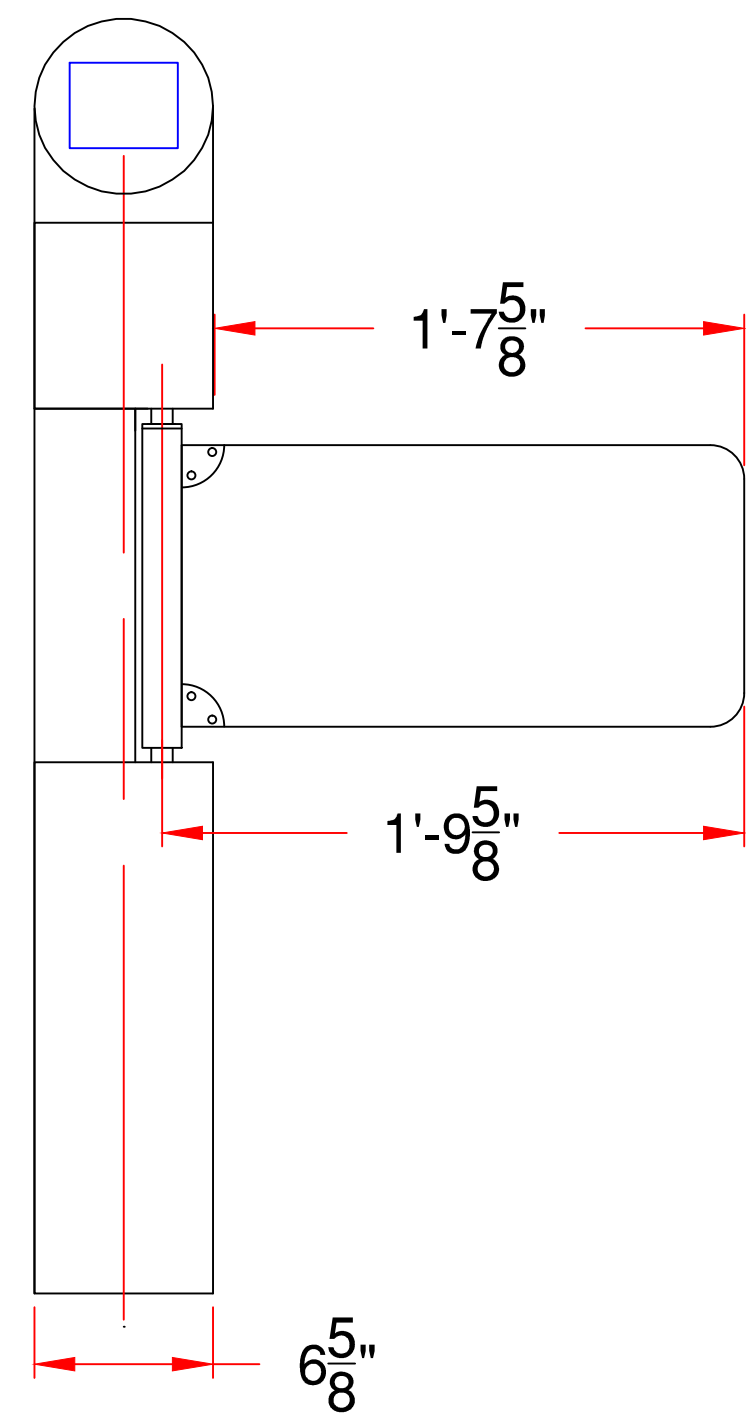
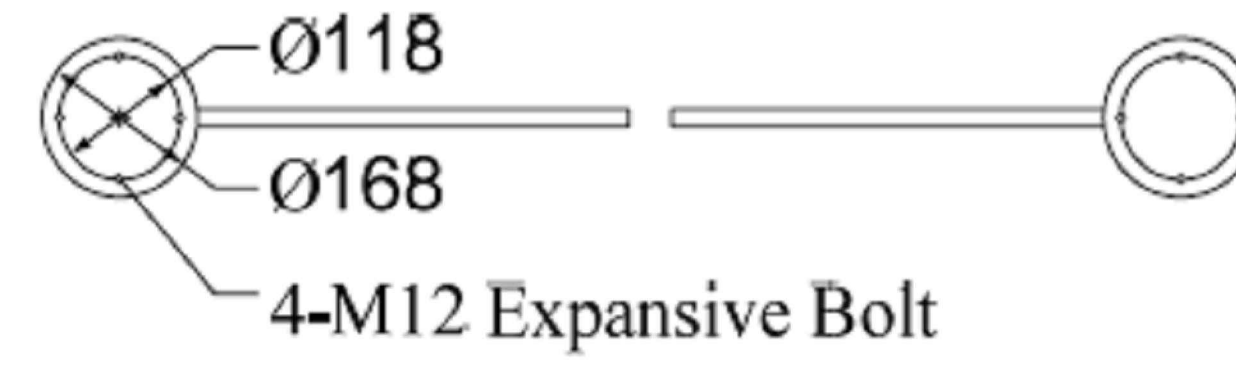


IMPERIAL DIMENSIONS



METRIC DIMENSIONS



4-M12 EXPANSIVE BOLT

REVISIONS	BY
09/02/09	CJC
10/30/12	CJC

WWW.TURNSTILES.US

8641 South Warhawk Rd. Conifer, CO 80433

Patrick McAllister Tel: 303-670-1099

TPW-321ASP	
Bi-Directional PASSAGE LANE TURNSTILE	
DWG #	TPW-321ASP
DATE	09 / 02 / 09
CHK'D	-----
SCALE =	<>
SHEET	1 OF 1