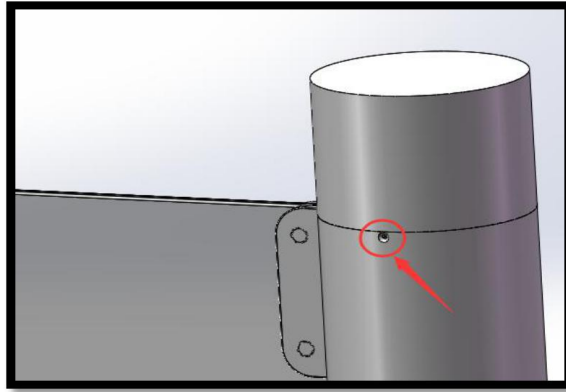
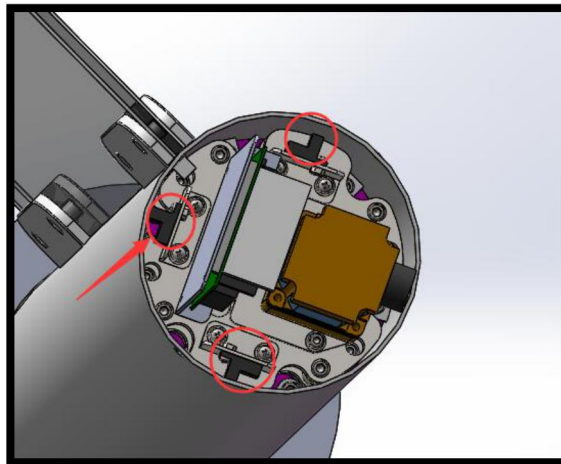


TPW-322AG Troubleshooting

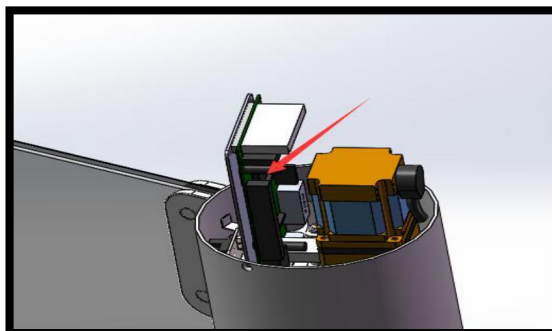
1. Loosen the fixed screw of the top cover and remove the top cover



2. Please check whether the optoelectronic switch is broken or not. And please also check whether the power indication light of optoelectronic switch is normally on (red light) or not and wire connection is loose or not.

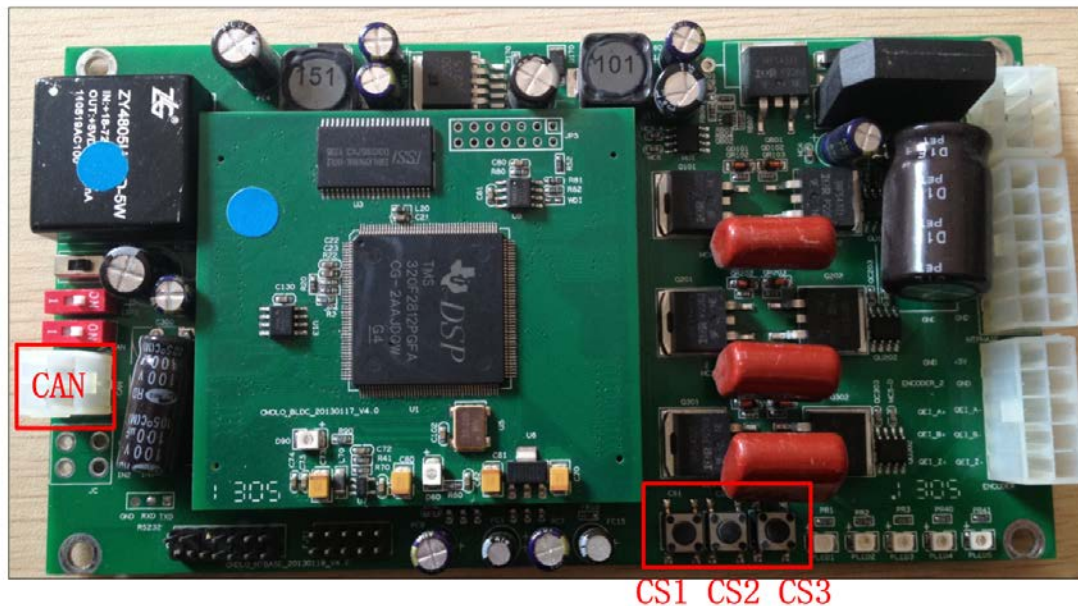


3. If it is normal after doing the above operation, the problem may be from motor board, then replacing the motor board is needed.



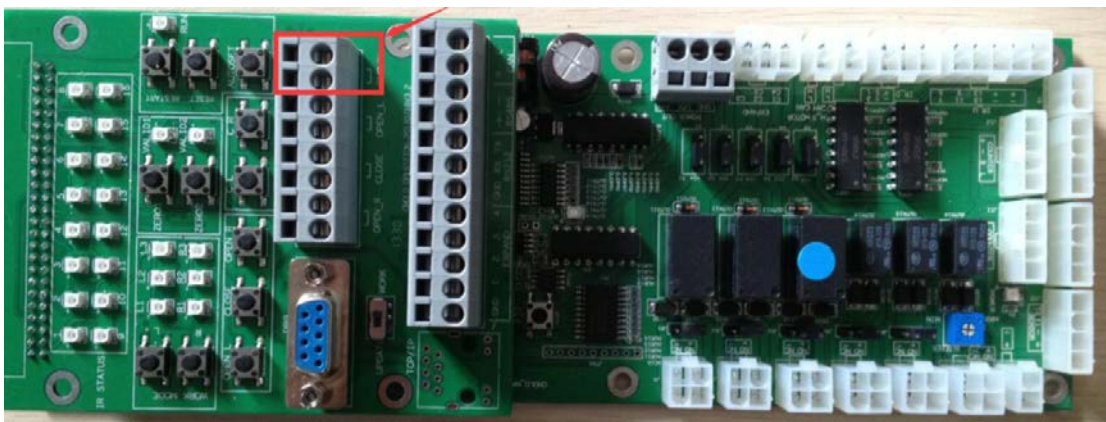
How to move the door back to the cabinet?

1. Disconnect the 220V power supply, and check whether the door can automatically move back to the cabinet or not. If not, please check point "2" as below.
2. Remove the communication cable "CAN" on motor board, then press the button "CS1" or "CS3" on motor board. When the door reaches the suitable position, please press "CS2" to stop the door moving. Please check the picture as below.



Problem: the customer hooked up the fire alarm to the inputs ever since then 1 door opens and the other one doesn't what could cause this?

PI NO.: CM20170704-02-03-01



Answer:

Please directly short circuit two ports (marked in red in the above picture) on the main board for the locked door. If the door can be open, it proves that there is problem with your wiring. If the door cannot be open, it proves that the main board is broken.