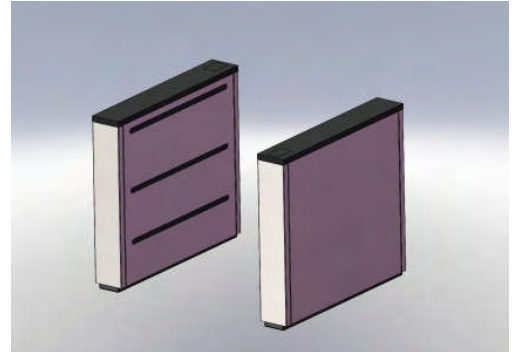




**PONB – Pure Optical No Barrier Turnstile**

**\$13,060.00 per lane**

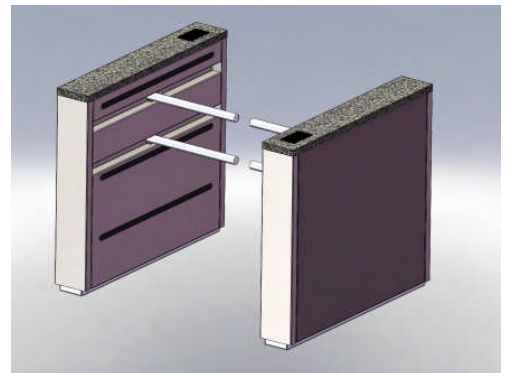
Pure optical turnstile system utilizing TURNSTILES' unique Beam Scan optical detection solution. Standard finishes - stainless steel pedestals and Corian tops, Includes 1/4 “ anti-tailgating range, low false alarm occurrence due to beam scanning pattern detection, crawl detection, and multi-directional card stacking. Unique visible and audible enunciators single out tailgaters, allowing lobby staff to focus on only the exceptions.



**OSAB –Optical Swing Arm Barrier Turnstile**

**\$20,532.00 per lane**

Optical Swing Arm Barrier turnstile system utilizing TURNSTILES' unique Beam Scan optical detection solution. Standard finishes include stainless steel pedestals and Corian tops, Includes 1/4 “ anti-tailgating range, low false alarm occurrence due to beam scanning pattern detection, crawl detection, and multi-directional card stacking. Unique visible and audible enunciators single out tailgaters, allowing lobby staff to focus on only the exceptions. “No Touch” swing arm barriers offer a visual deterrent to would be trespassers and tailgaters.



**ORWB –Optical Retractable Wing Barrier Speed Lane**

**\$29,473.00 per lane**

Unique retractable wing barrier speed lane system combines TURNSTILES' unique Beam Scan optical detection solution with Magnetic Autocontrol’s German engineering. Standard finishes include stainless steel pedestals and Corian tops, Includes 1/4 “ anti-tailgating range, low false alarm occurrence due to beam scanning pattern detection, crawl detection, and multi-directional card stacking. Unique visible and audible enunciators single out tailgaters, allowing lobby staff to focus on only the exceptions. “Soft” retractable barriers offer a visual deterrent to would be trespassers and tailgaters. Retractable barriers available in Handicapped and standard lane widths within the same 12 inch wide elliptical pedestal.



**8641 S. Warhawk Rd. Conifer, CO 80433**  
**Patrick.McAllister@TURNSTILES.us**  
**(303) 670-1099 (303) 679-8949 fax**



**OBFG –Optical Bi-Parting Full Glass Speed Lane**

**\$31,897.00 per lane**

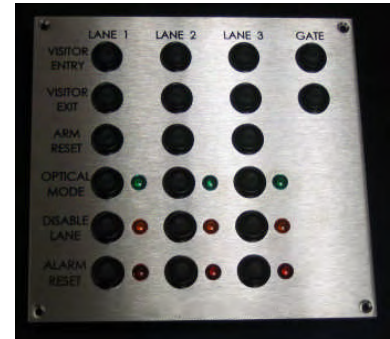
Unique bi-parting full glass barrier speed lane system combining TURNSTILES' Beam scan optical detection solution with Magnetic Autocontrol's German engineering. Standard finishes include stainless steel pedestals and Corian tops, Includes 1/4 " anti-tailgating range, low false alarm occurrence due to beam scanning pattern detection, crawl detection, and multi-directional card stacking. Unique visible and audible enunciators single out tailgaters, allowing lobby staff to focus on only the exceptions. Bi-Parting Full barriers offer a visual deterrent to would be trespassers and tailgaters. Bi-Parting full glass barriers available in Handicapped and standard lane widths. Standard barrier heights are 4 feet, 5 feet, and 6 feet above finish floor.



**RLC-PB Remote Lane Controller – Push Button**

**\$1,950.00 per suite**

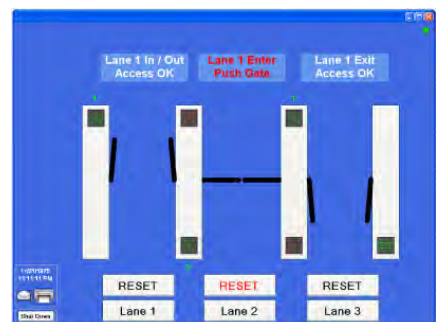
Allows security personal access to the lanes via a desk top controller. Indicates lane in alarm , allows security to acknowledges alarms, allows visitors access, disables lanes, and can be used to change lane functions.



**RLC-TC Remote Lane Controller – Touch Control**

**\$5,500.00 per suite**

Allows security personal access to the lanes via a desk top touch control PC. Indicates lane in alarm, allows security to acknowledges alarms, allows visitors access, disables lanes, and can be used to change lane functions. Touch Screen includes advanced alarm type display, technical service tools, lane beam status, I/O status, and on the fly volume adjustment.



**8641 S. Warhawk Rd. Conifer, CO 80433**  
**Patrick.McAllister@TURNSTILES.us**  
**(303) 670-1099 (303) 679-8949 fax**