

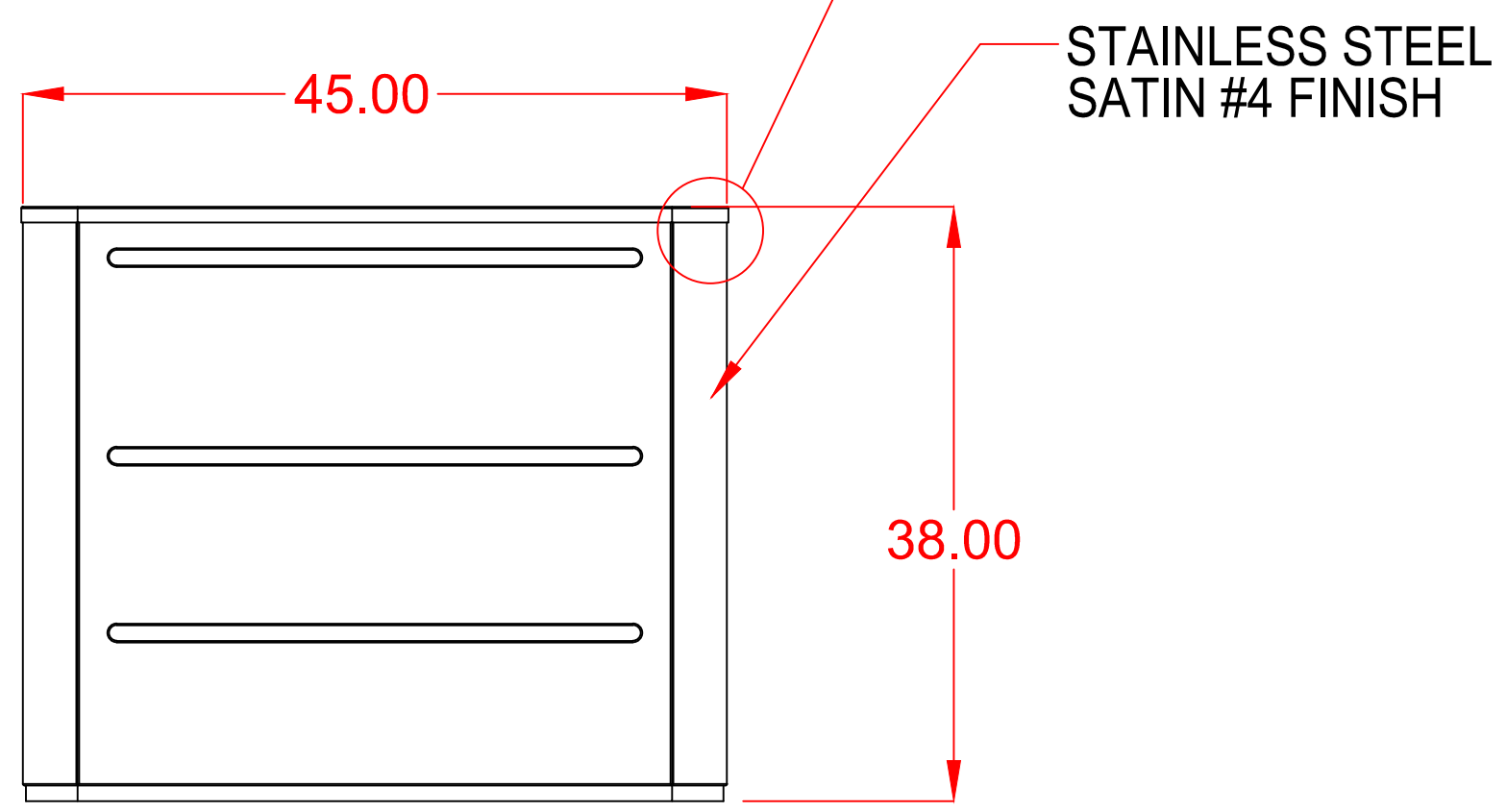
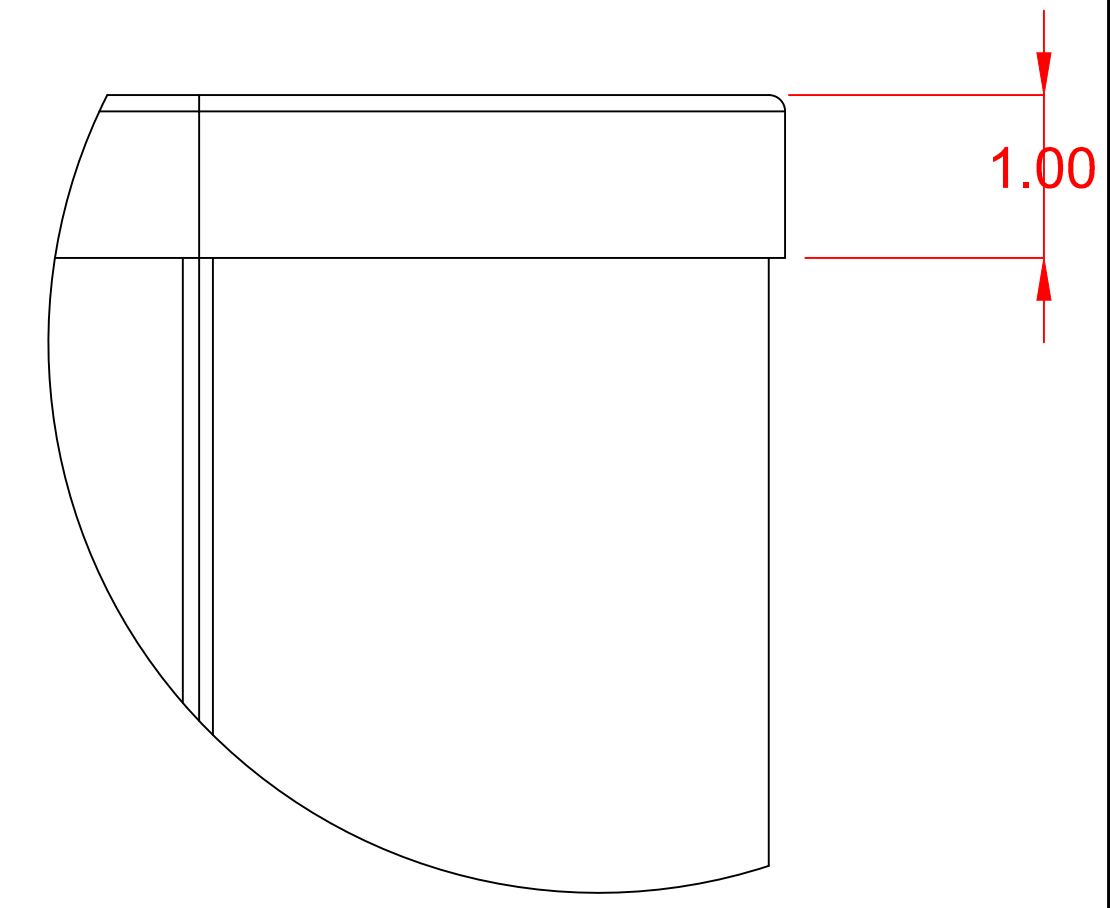
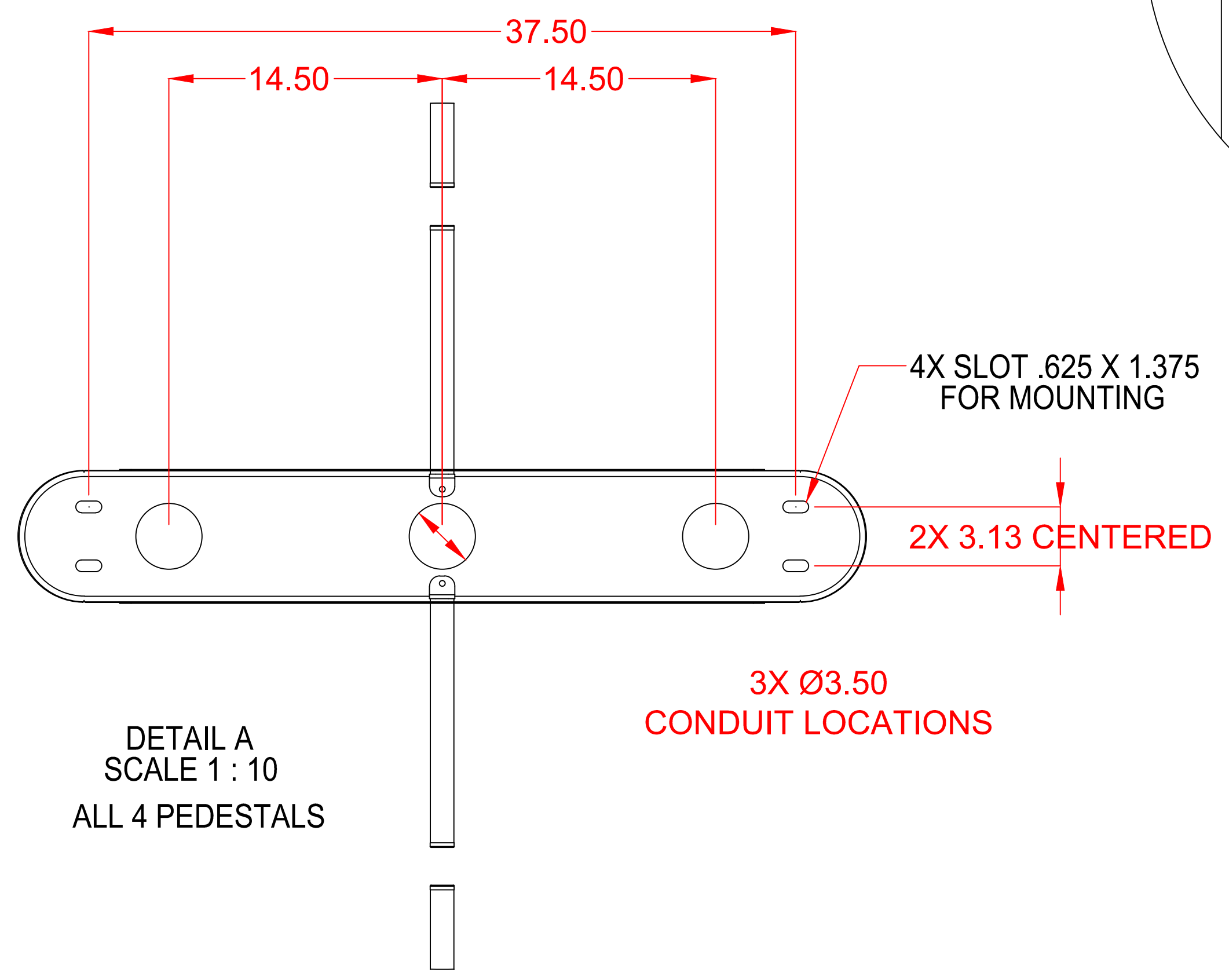
WIRING INFORMATION

- 18/4 STRANDED/SHIELDED - COMMUNICATIONS BETWEEN PEDESTALS
- 18/2 STRADED/SHIELDED - FROM POWER SUPPLY TO PEDESTAL
- 18/2 SRANDED/SHIELDED - FROM EACH LANE PIB FACP TO FIRE RELAY

NOTES

MOUNTING/CORE HOLE TEMPLATES ARE AVAILABLE
 EACH PEDESTAL MUST BE GROUNDED TO BUILDING EARTH GROUND
 POWER SUPPLY MUST BE LOCATED WITHIN 50 FEET OF FIRST PEDESTAL

ONE 1 INCH EMT
 SUPPLIED BY EC FOR
 LOW VOLTAGE WARNING



REVISIONS	BY
--/--/--	AAA

www.TURNSTILES.US

8641 South Warhawk Rd. Conifer, CO 80433

Patrick McAllister Tel: 303-670-1099

EQUIPMENT DETAILS	
OSAB-DA OPTICAL SWING ARM BARRIER DOUBLE ARM TURNSTILE	
DWG #	052312 OSAB-DA EQUIPMENT DETAIL & DIMENSIONS
DATE	5 / 23 / 12
SCALE =	-----
SHEET	__ OF __